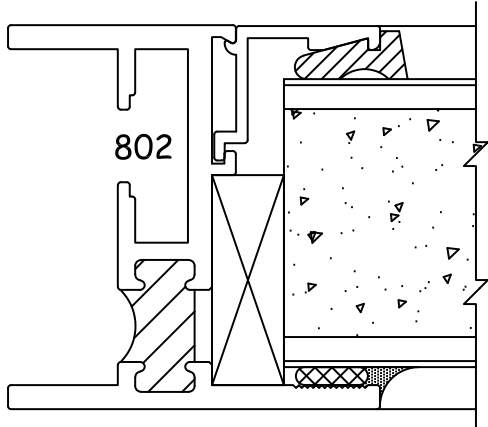


Win-Vent Architectural Windows 2401 S. Main Street Fort Scott Kansas 66701  
(620) 223-1111 (800) 295-3113 Fax (620) 223-1139 www.winventwindows.com



5  
8F9 1-1/2" GLAZING @ JAMB  
(SHOWN WITH A PANEL)