

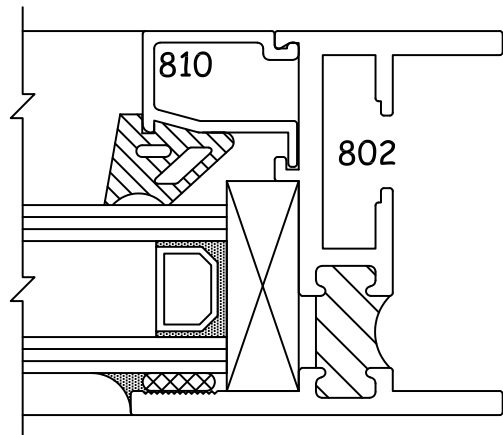
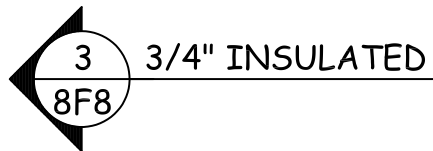
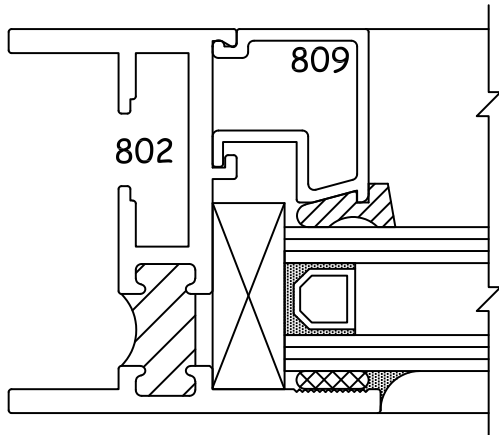
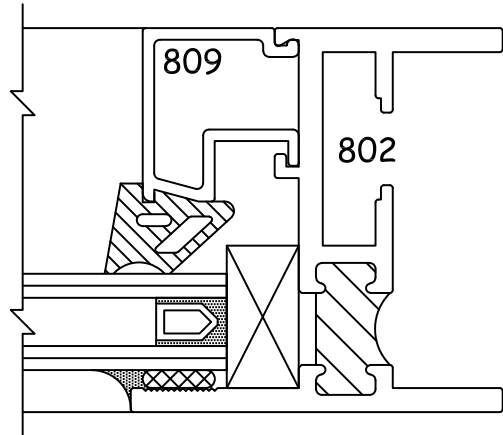
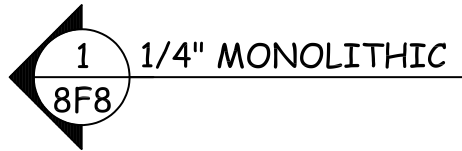
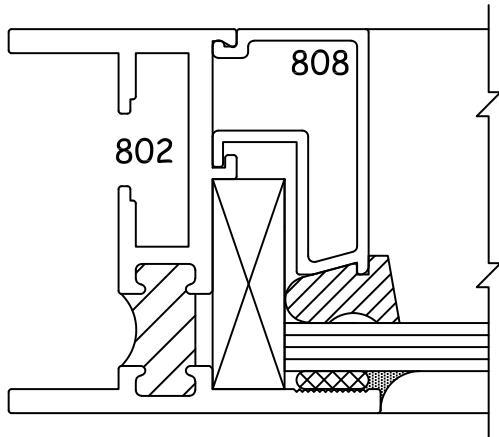
Series 800
Sections



Glazing
Details

Page No.
8F8

Win-Vent Architectural Windows 2401 S. Main Street Fort Scott Kansas 66701
(620) 223-1111 (800) 295-3113 Fax (620) 223-1139 www.winventwindows.com



7/8" INSULATED
1" SIMILAR
NOTE:
1" IGU SHOWN ON
ALL PREVIOUS PAGES