

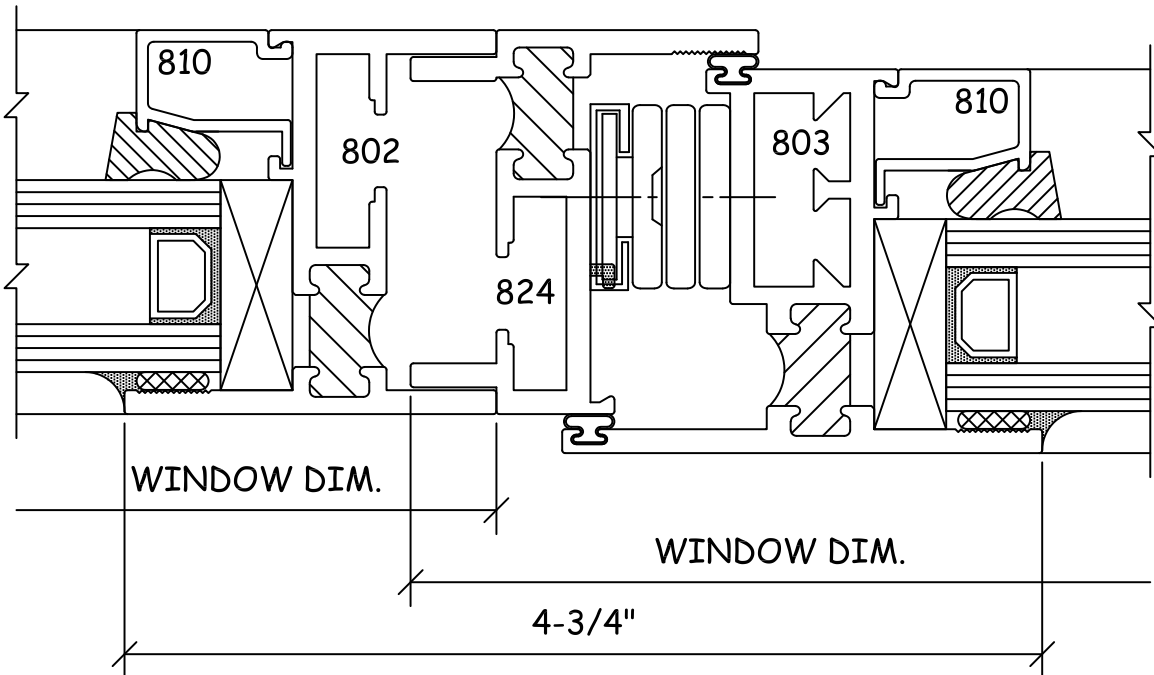
Series 800
Sections



Self-Mull
Details

Page No.
8F4

Win-Vent Architectural Windows 2401 S. Main Street Fort Scott Kansas 66701
(620) 223-1111 (800) 295-3113 Fax (620) 223-1139 www.winventwindows.com



1 VERTICAL STACK
8F4 FIXED/PROJECT-OUT

VERTICAL STACK
PROJECT-OUT/PROJECT-OUT **2**
8F4

