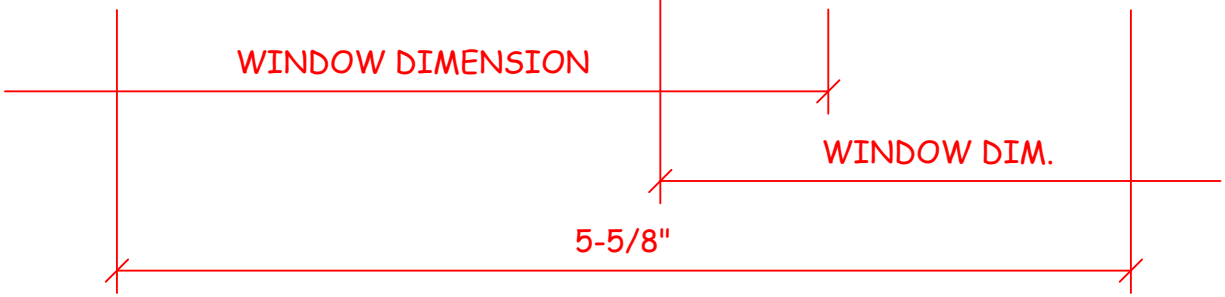
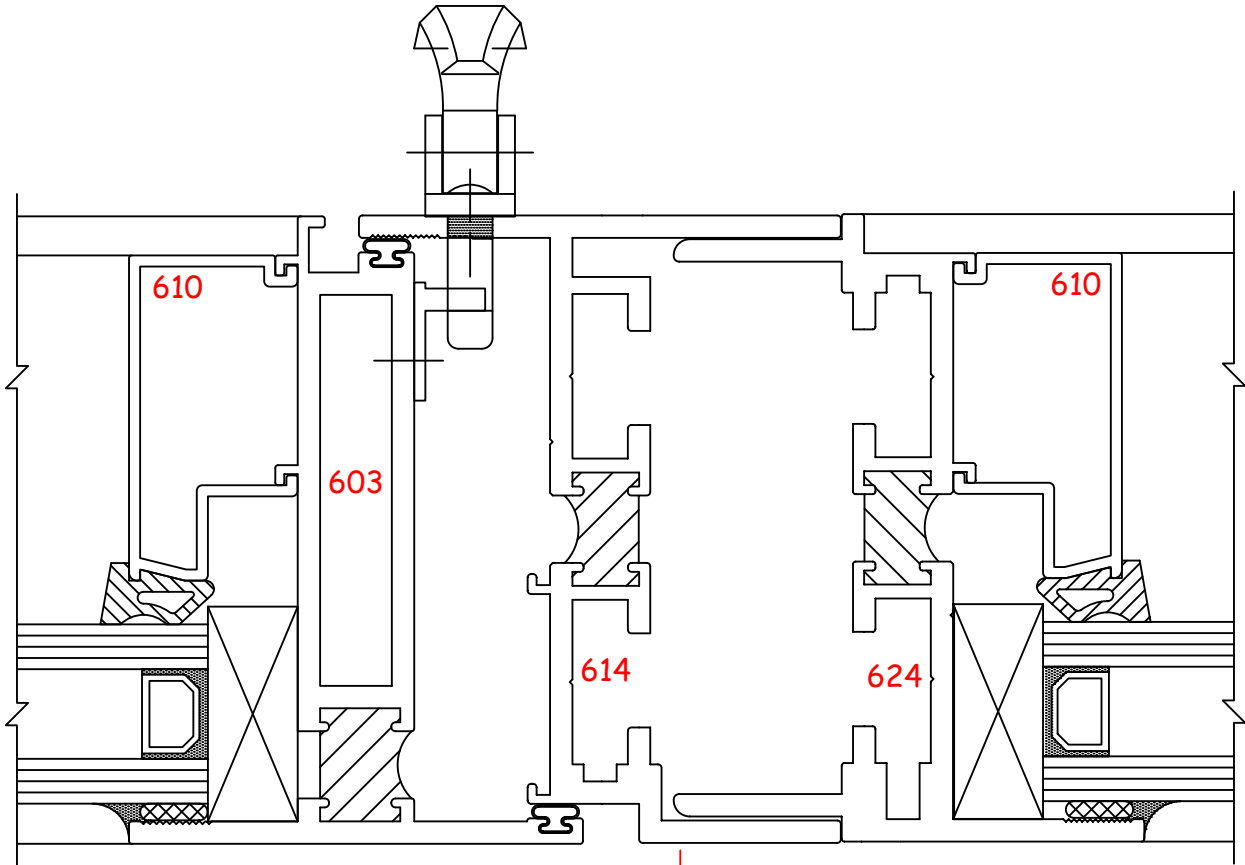


Win-Vent Architectural Windows 2401 S. Main Street Fort Scott Kansas 66701
(620) 223-1111 (800) 295-3113 Fax (620) 223-1139 www.winventwindows.com



6 VERTICAL SIDE-STACK MULL
6D6 CASEMENT/FIXED