

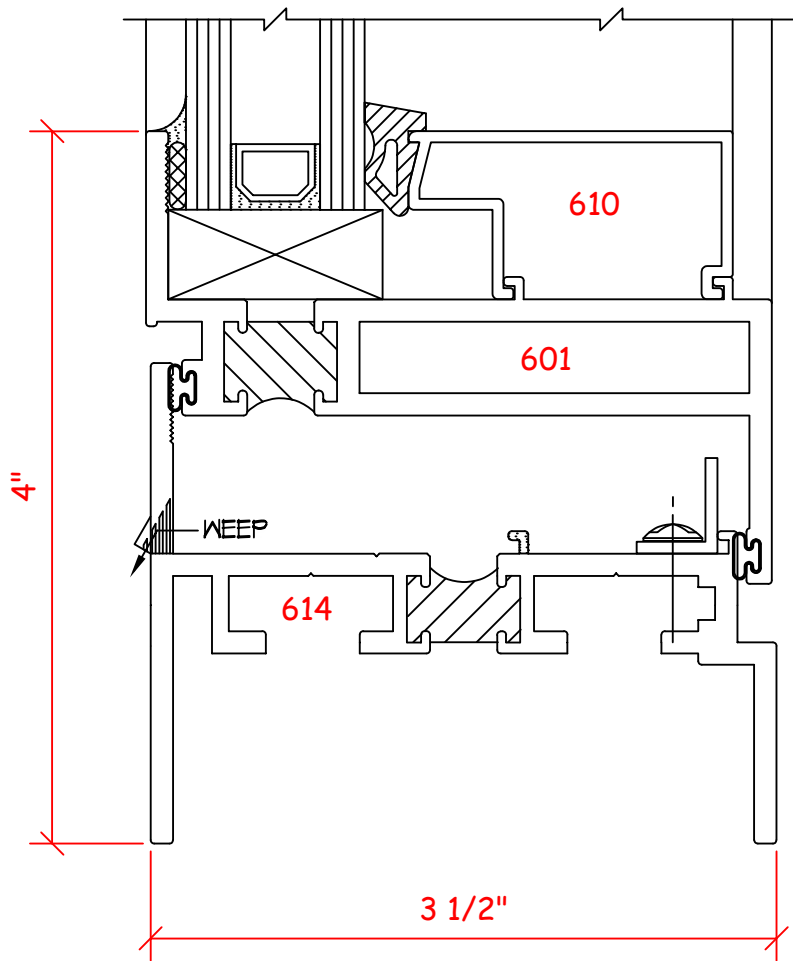
Page No.
6B2

**Project-In
Details**



**Series 600
Sections**

Win-Vent Architectural Windows 2401 S. Main Street Fort Scott Kansas 66701
(620) 223-1111 (800) 295-3113 Fax (620) 223-1139 www.winventwindows.com



2 SILL
6B2