

Series 500  
Sections

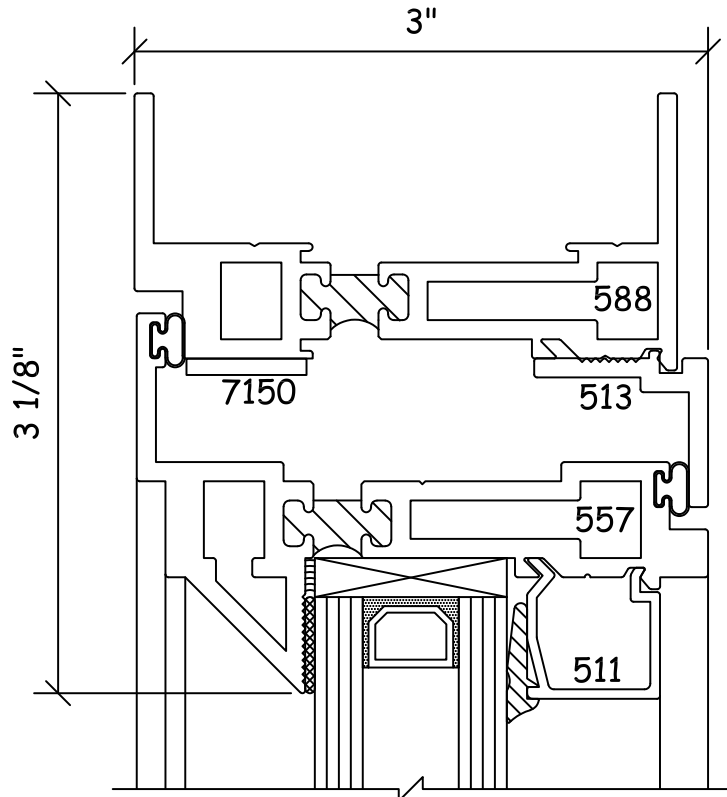


Equal Leg  
Casement  
Details

Page No.  
**5I6**

Win-Vent Architectural Windows 2401 S. Main Street Fort Scott Kansas 66701  
(620) 223-1111 (800) 295-3113 Fax (620) 223-1139 www.winventwindows.com

VENT HEAD  
FIXED-CASEMENT



VENT SILL  
FIXED-CASEMENT

