

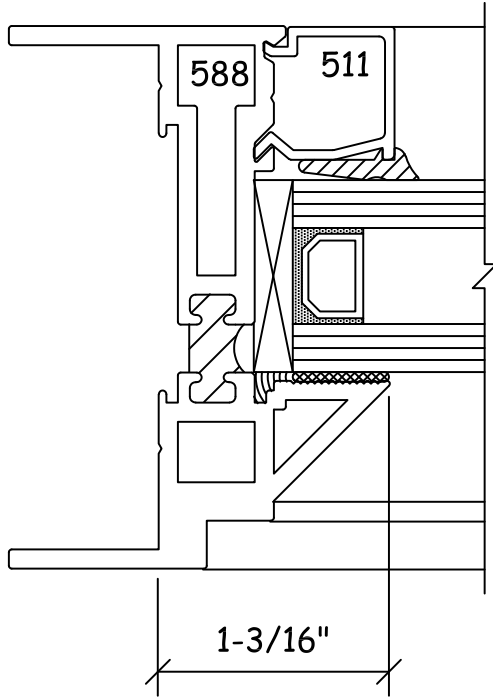
Series 500
Sections



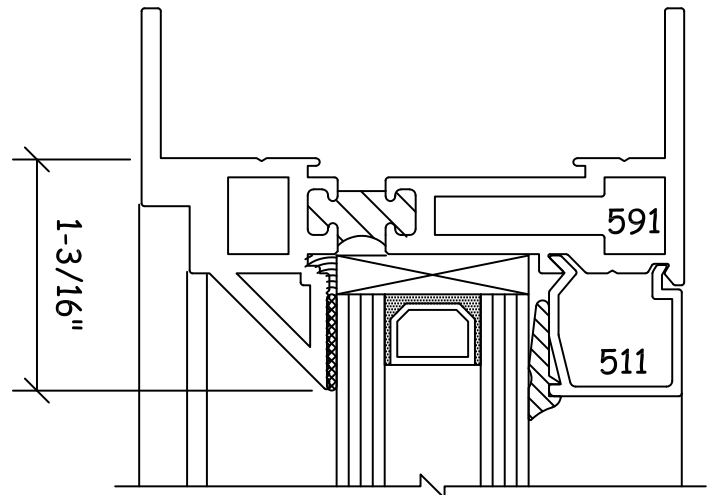
Equal Leg
Project-Out
Details

Page No.
5H4

Win-Vent Architectural Windows 2401 S. Main Street Fort Scott Kansas 66701
(620) 223-1111 (800) 295-3113 Fax (620) 223-1139 www.winventwindows.com



7 FIXED JAMB
5H4 FIXED/PROJECT OUT



9 HEAD
5H4 FIXED/PROJECT OUT

VENT JAMB
FIXED/PROJECT OUT **8**
5H4

