

Series 500
Sections

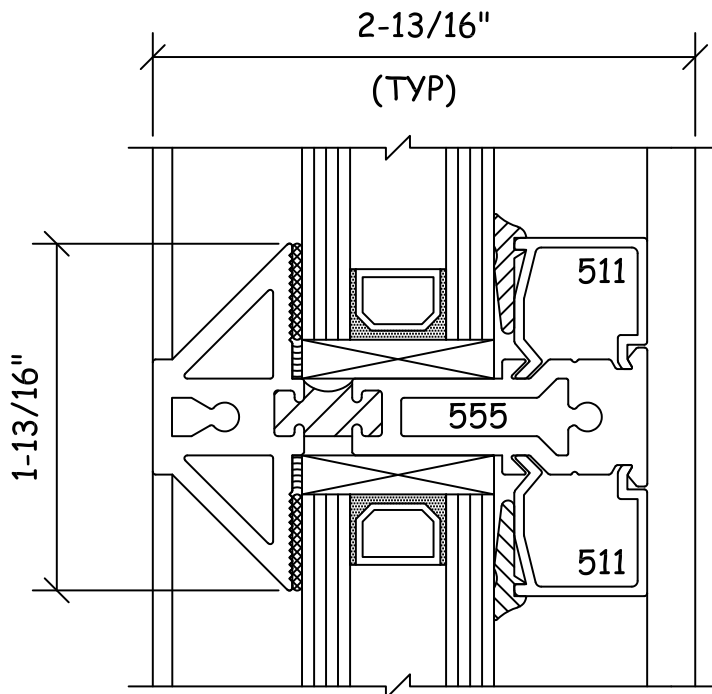
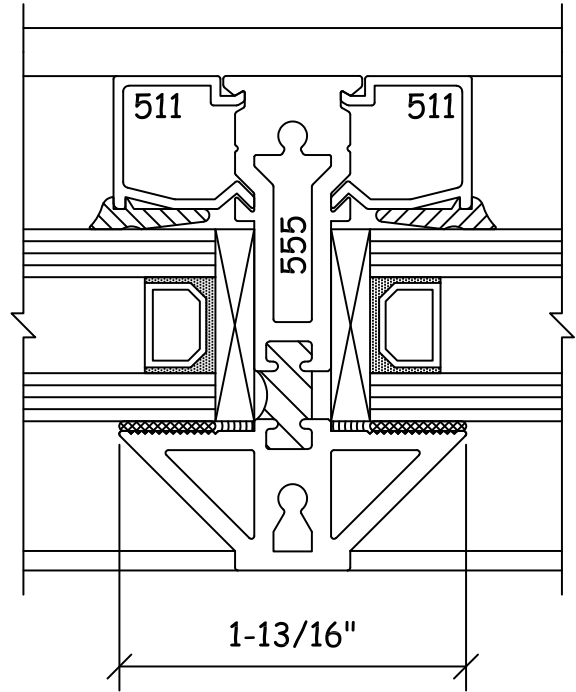


Equal Leg
Fixed
Details

Page No.
5F2

Win-Vent Architectural Windows 2401 S. Main Street Fort Scott Kansas 66701
(620) 223-1111 (800) 295-3113 Fax (620) 223-1139 www.winventwindows.com

VERTICAL
TRUE MUNTIN



HORIZONTAL
TRUE MUNTIN