

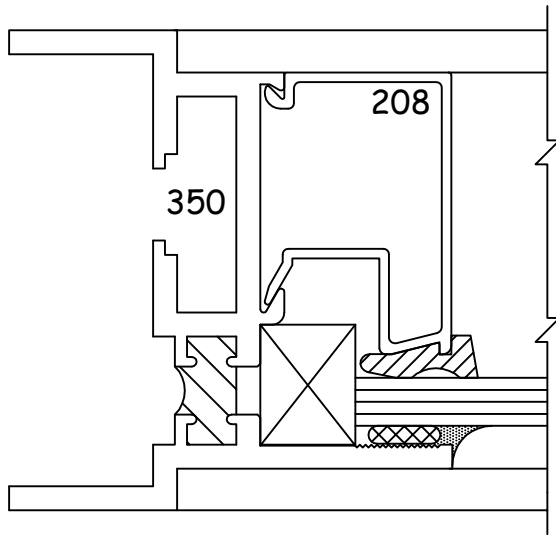
Series 350  
Sections



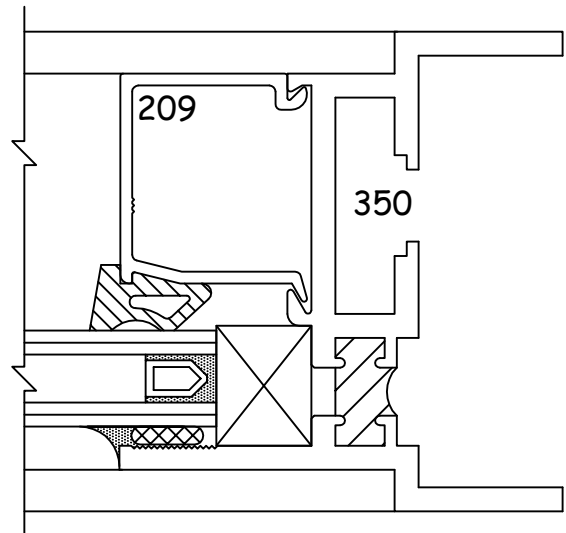
Optional  
Glazing

Page No.  
**35F7**

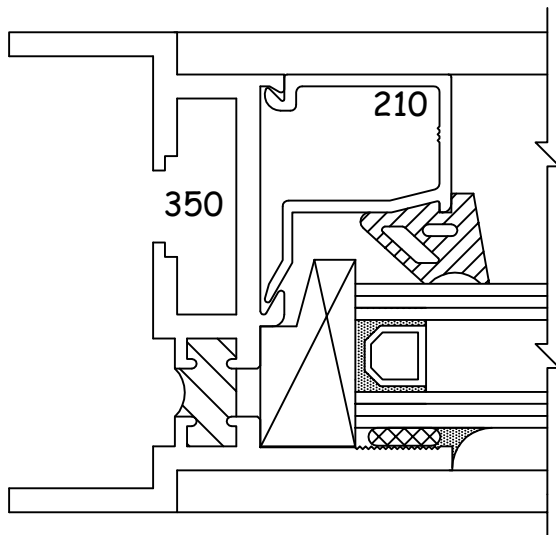
Win-Vent Architectural Windows 2401 S. Main Street Fort Scott Kansas 66701  
(620) 223-1111 (800) 295-3113 Fax (620) 223-1139 www.winventwindows.com



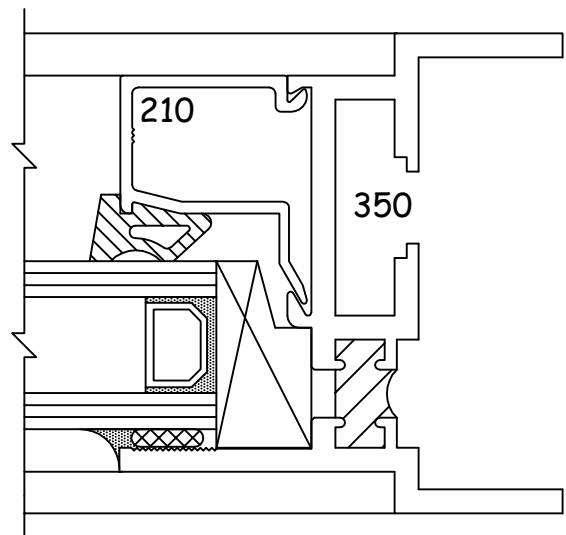
1  
35F7 1/4" MONOLITHIC



2  
35F7 1/2" INSULATED  
5/8" SIMILAR



3  
35F7 3/4" INSULATED



4  
35F7 7/8" INSULATED  
1" SIMILAR  
NOTE:  
1" IGU SHOWN ON  
ALL PREVIOUS PAGES