

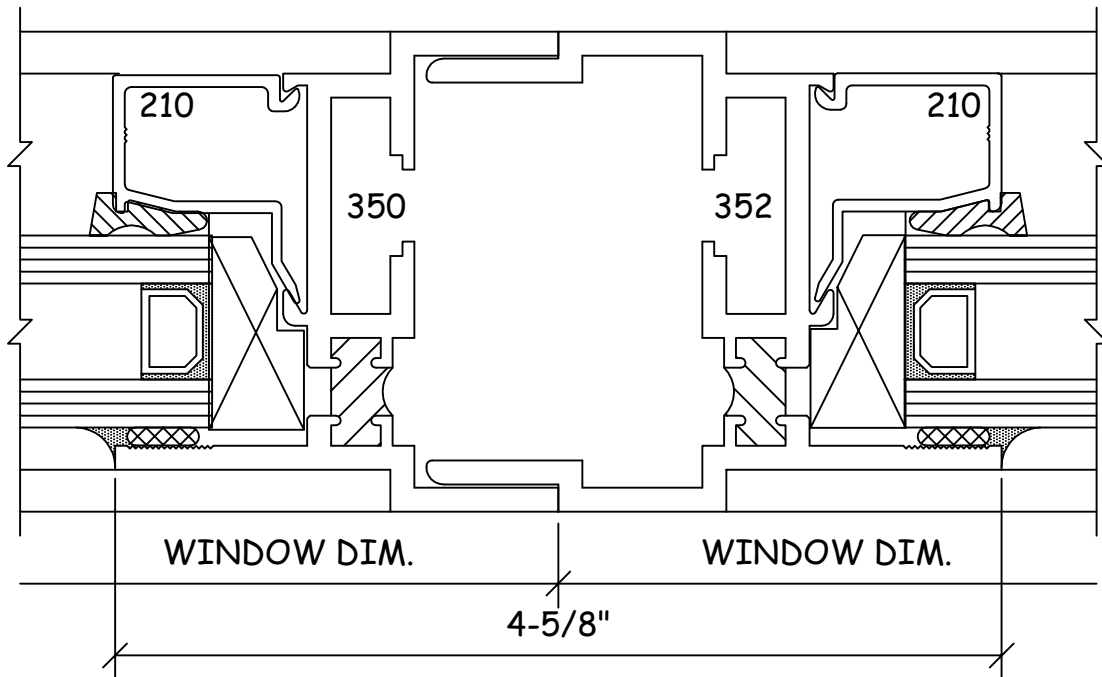
Series 350  
Sections



Self-Mull  
Details

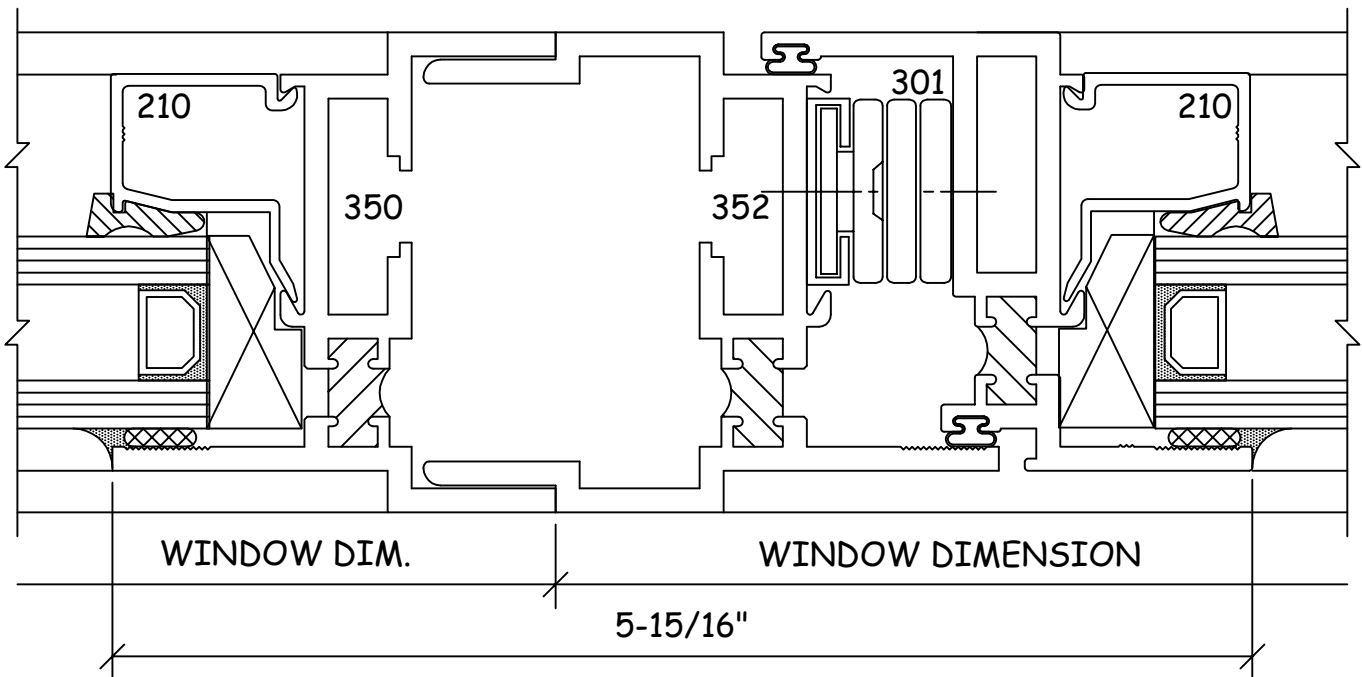
Page No.  
**35F1**

Win-Vent Architectural Windows 2401 S. Main Street Fort Scott Kansas 66701  
(620) 223-1111 (800) 295-3113 Fax (620) 223-1139 www.winventwindows.com



VERTICAL SIDE-STACK  
FIXED/FIXED

1  
35F1



2  
35F1 VERTICAL SIDE-STACK  
FIXED/PROJECT-IN