

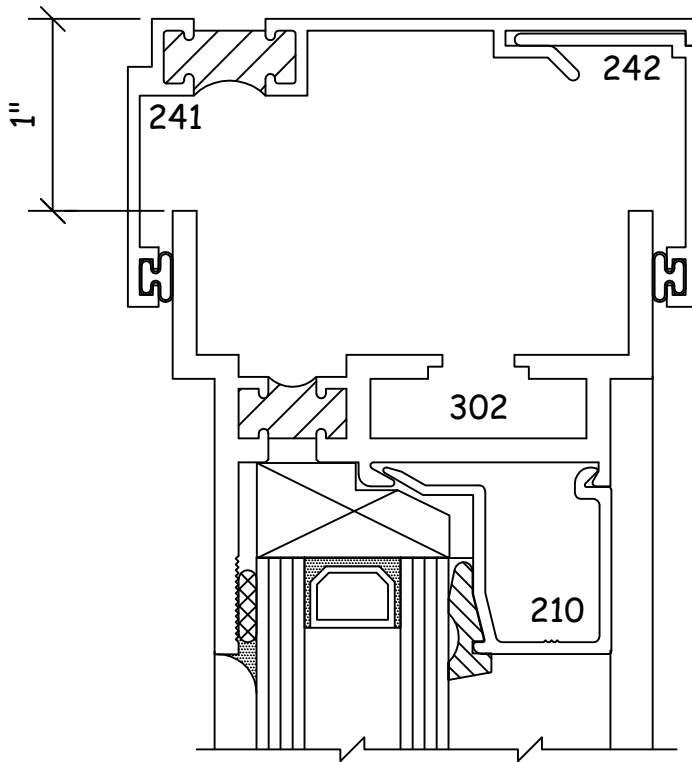
Series 350
Sections



Receptor &
Sill Starter

Page No.
35F13

Win-Vent Architectural Windows 2401 S. Main Street Fort Scott Kansas 66701
(620) 223-1111 (800) 295-3113 Fax (620) 223-1139 www.winventwindows.com



1 2-PC. RECEPTOR
35F13 @ HEAD & JAMBS

NOTES:

Unless specifically requested
Win-Vent will ship all Receptor
2" longer than opening dimension
for field-trim as required.