

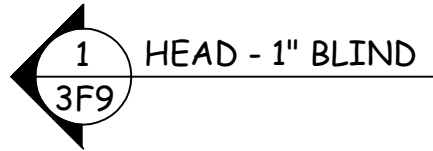
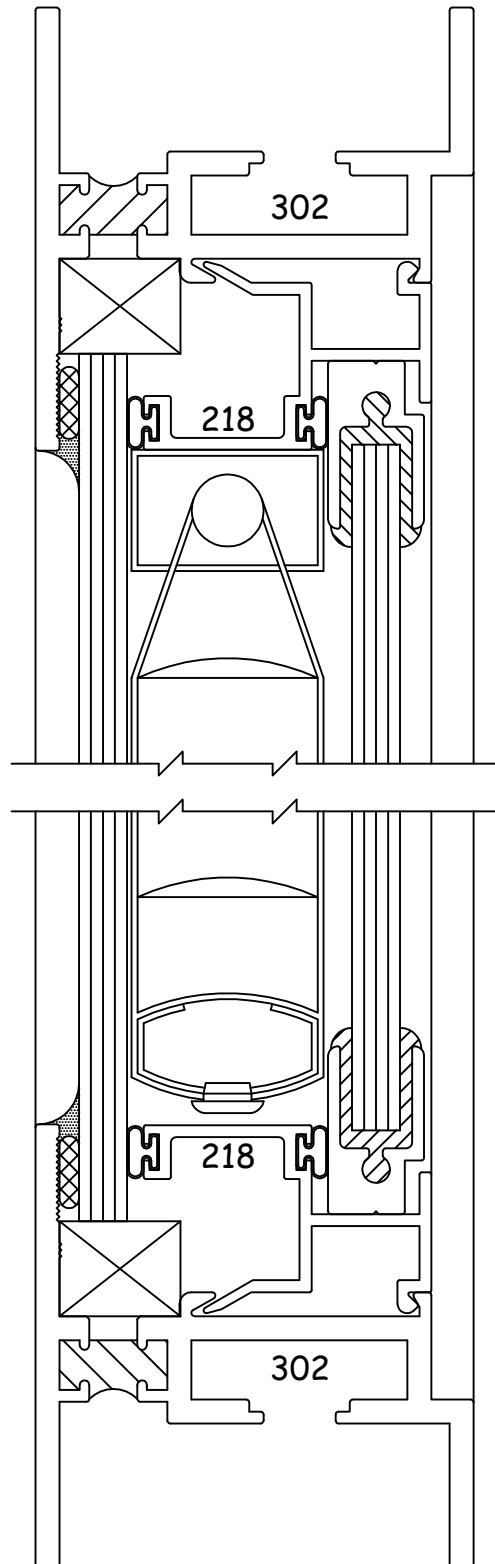
Series 300
Sections



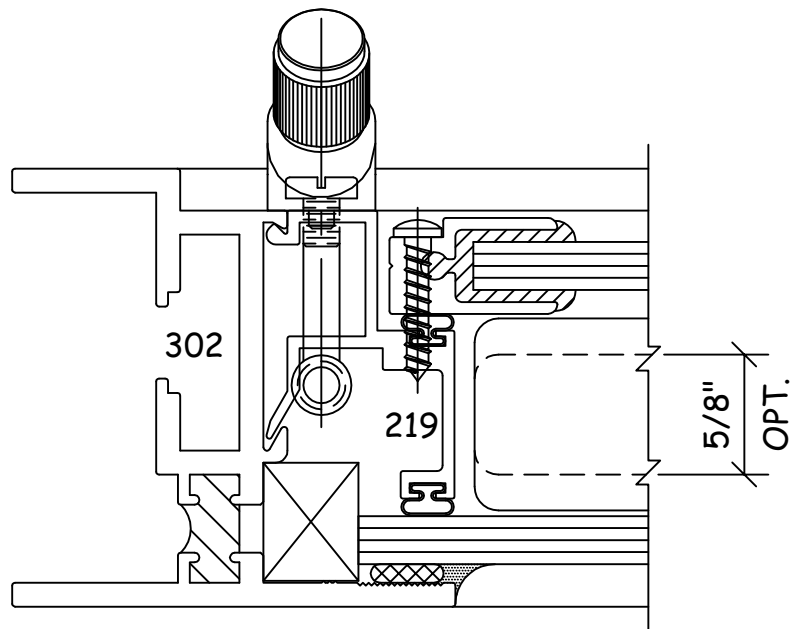
Dual Glazed
w/Blind

Page No.
3F9

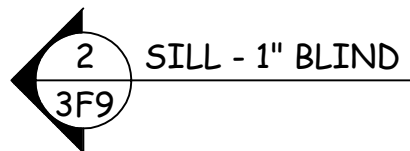
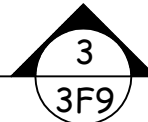
Win-Vent Architectural Windows 2401 S. Main Street Fort Scott Kansas 66701
(620) 223-1111 (800) 295-3113 Fax (620) 223-1139 www.winventwindows.com



HEAD - 1" BLIND



JAMB - 1" BLIND



SILL - 1" BLIND

NOTE: 5/8" BLIND AVAILABLE