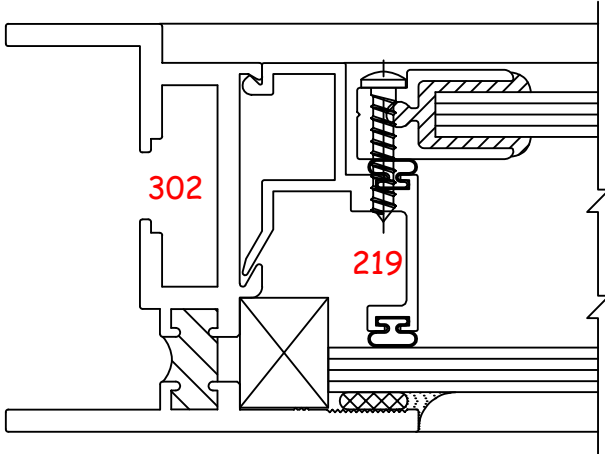
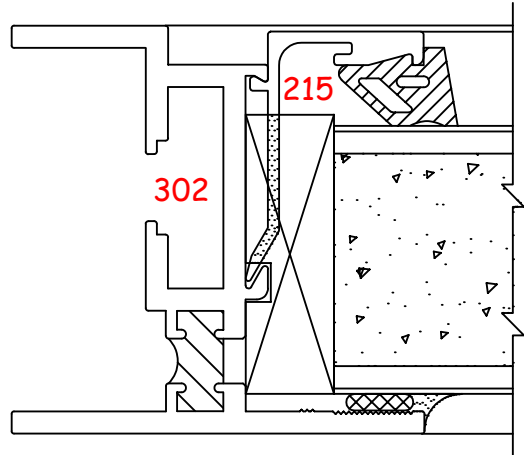


Win-Vent Architectural Windows 2401 S. Main Street Fort Scott Kansas 66701
(620) 223-1111 (800) 295-3113 Fax (620) 223-1139 www.winventwindows.com

1-1/2" GLAZING @ JAMB
(SHOWN WITH A PANEL) 



 7 DUAL-GLAZED @ JAMB
3F8