

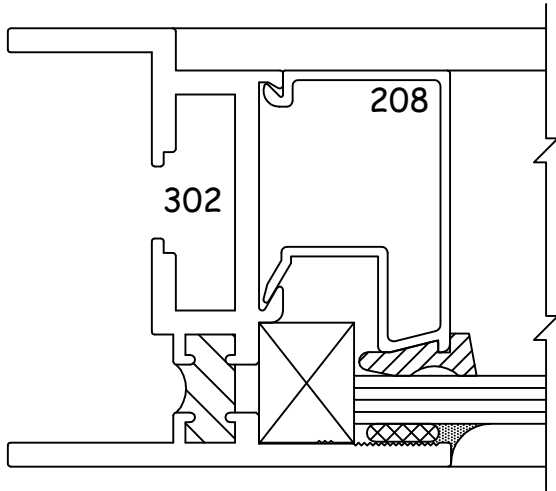
Series 300
Sections



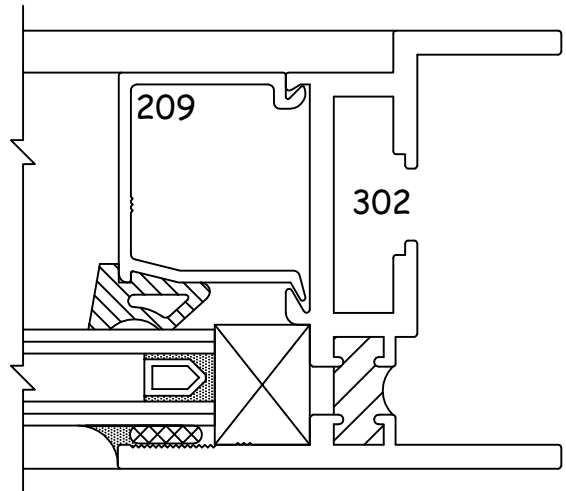
Optional
Glazing

Page No.
3F7

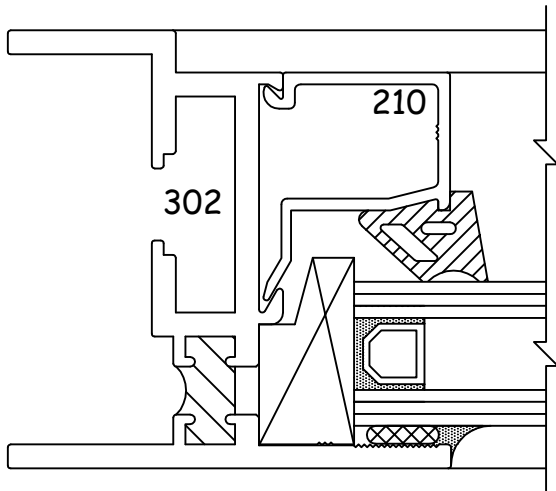
Win-Vent Architectural Windows 2401 S. Main Street Fort Scott Kansas 66701
(620) 223-1111 (800) 295-3113 Fax (620) 223-1139 www.winventwindows.com



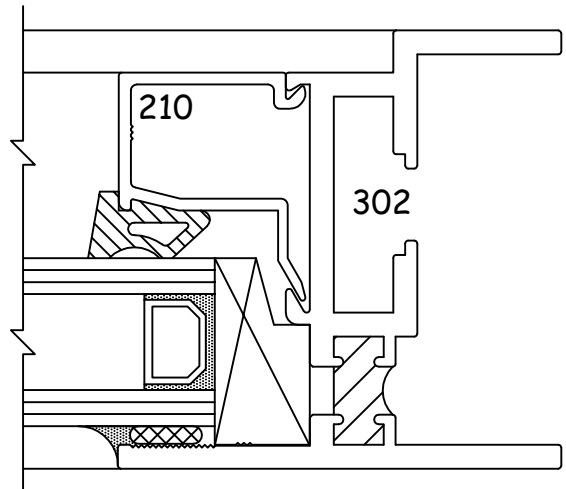
1
3F7 1/4" MONOLITHIC



1/2" INSULATED
5/8" SIMILAR 2
3F7



3
3F7 3/4" INSULATED



7/8" INSULATED
1" SIMILAR 4
3F7

NOTE:
1" IGU SHOWN ON
ALL PREVIOUS PAGES