

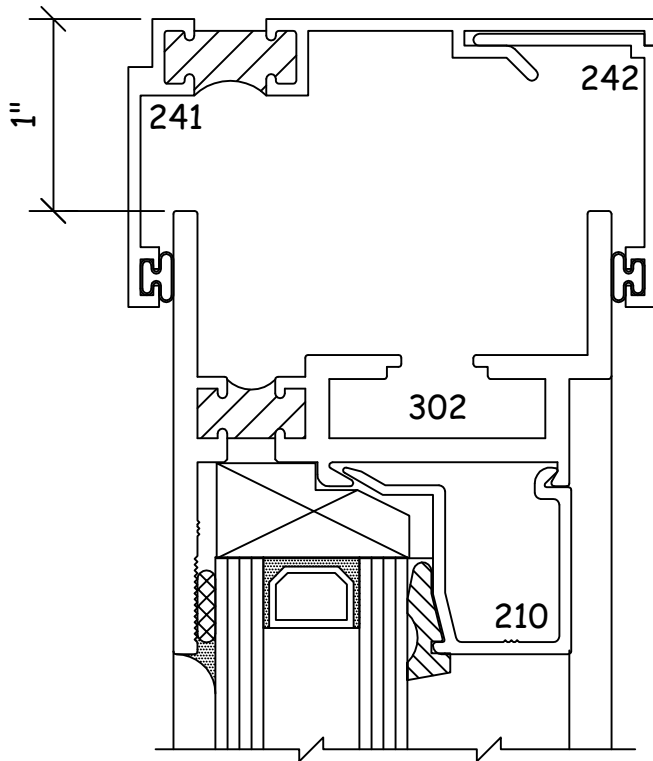
Series 300
Sections



Receptor
Detail

Page No.
3F13

Win-Vent Architectural Windows 2401 S. Main Street Fort Scott Kansas 66701
(620) 223-1111 (800) 295-3113 Fax (620) 223-1139 www.winventwindows.com



1
3F13

2-PC. RECEPTOR
@ HEAD & JAMBS

NOTES:

Unless specifically requested
Win-Vent will ship all Receptor
2" longer than opening dimension
for field-trim as required.