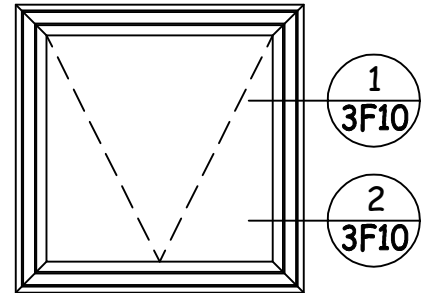
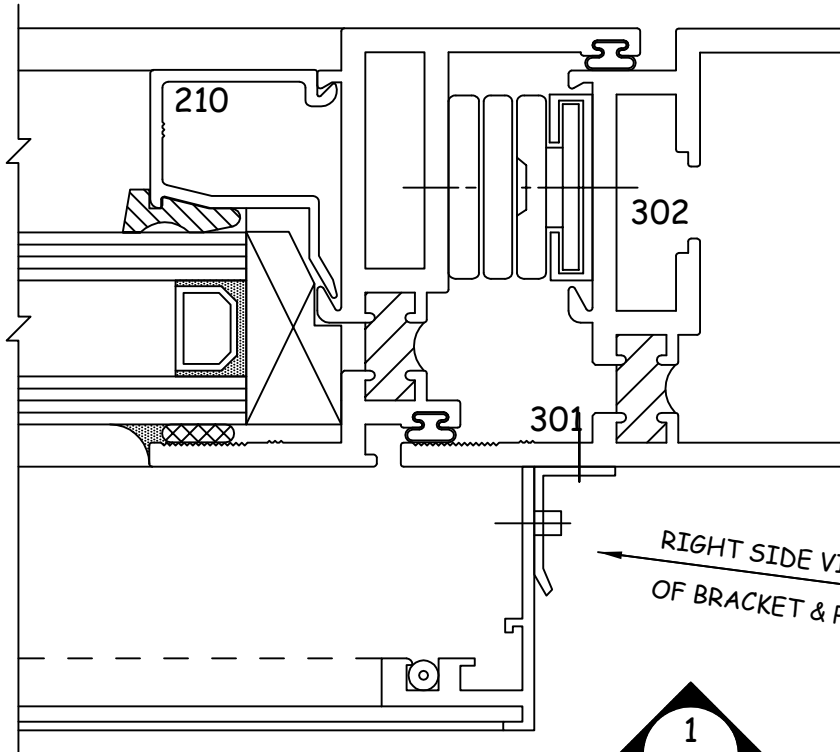


Series 300
Sections



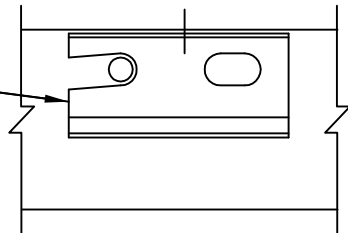
Screen
Project-In

Win-Vent Architectural Windows 2401 S. Main Street Fort Scott Kansas 66701
(620) 223-1111 (800) 295-3113 Fax (620) 223-1139 www.winventwindows.com



Elevation
No Scale

RIGHT SIDE VIEW
OF BRACKET & PIN

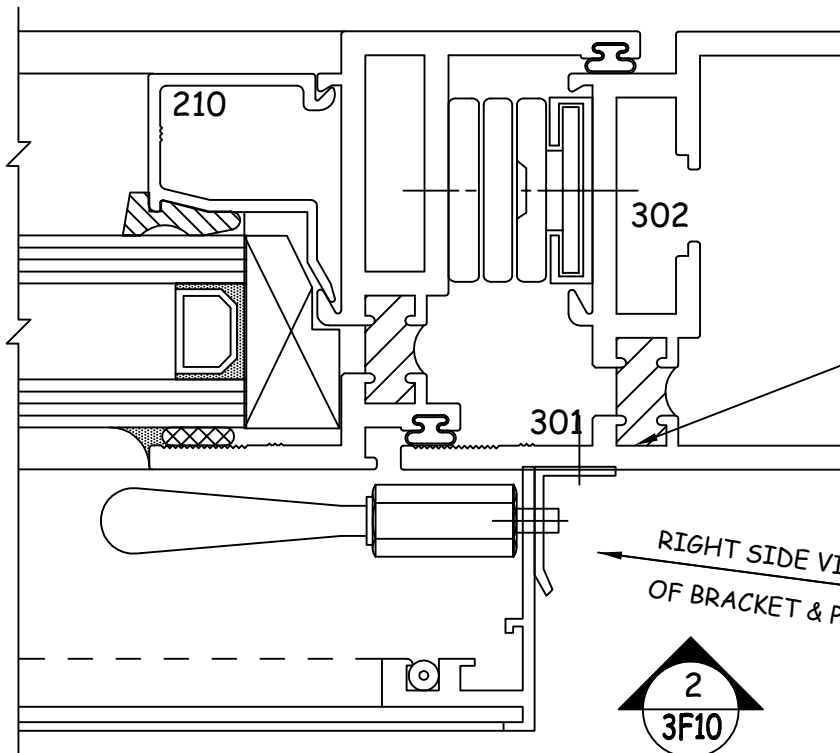


TO INSTALL EXTERIOR MOUNTED
SCREENS:

- * Attach brackets to pre-drilled holes
- * Put screen frame thru vent & hang from top brackets
- * Pull plunger in & insert in bracket slots

Exterior-mounted screens are removable from inside the window.

HOLES ARE PRE-DRILLED BY WIN-VENT. BRACKETS & ATTACHMENT SCREWS ARE SHIPPED LOOSE.



RIGHT SIDE VIEW
OF BRACKET & PLUNGER

