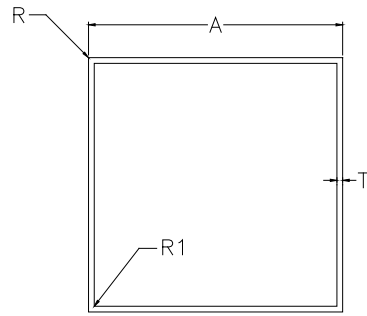


SQUARES



DIE	A	T	R	R1	WEIGHT LB./FT.
2273H	1.000	.125	.125	NA	.527
2637H	2.000	.125	.015	.015	1.130
2857H	1.000	.062	.015	.015	.288
3595H	1.500	.125	.010	.010	.826
3825H	.780	.140	.090	NA	.422
4039H	1.250	.125	.020	.020	.674
4718H	.750	.060	.031	.015	.198
4939H	1.500	.062	NA	NA	.428
5078H	.780	.140/.080	.090	NA	.352
6014H	1.500	.125	.016	.016	.825
6219H	.500	.062	NA	NA	.131
7011H	1.000	.062	.093	.045	.281
7288H	3.000	.125	.015	.015	1.726
7514H	2.000	.188	.188	.188	1.636
10648H	.750	.060	.125	.125	.199
10647H	1.000	.090	.125	.125	.394
10729H	3.000	.250	.060	.060	3.300