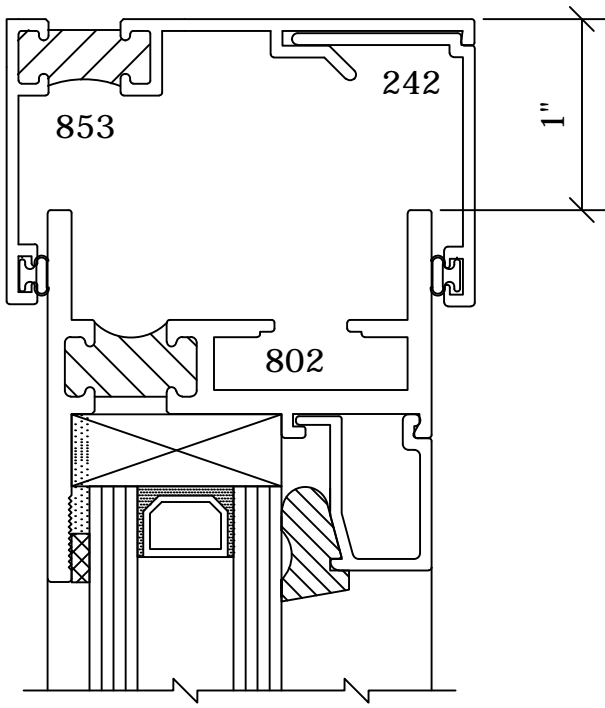


Win-Vent Architectural Windows 2401 S. Main Street Fort Scott Kansas 66701  
(620) 223-1111 (800) 295-3113 Fax (620) 223-1139 www.winventwindows.com



1  
8F13

2-PC. RECEPTOR  
@ HEAD & JAMBS

**NOTES:**  
Unless specifically requested  
Win-Vent will ship all Receptor  
2" longer than opening dimension  
for field-trim as required.