

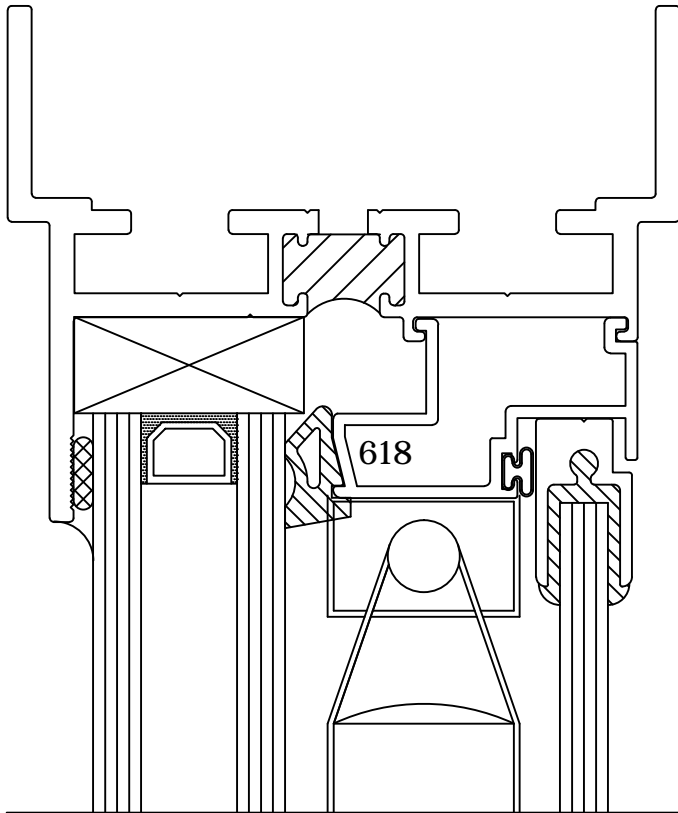
Series 600  
Sections



Dual-Glazed  
w/Blind

Page No.  
**6F8**

Win-Vent Architectural Windows 2401 S. Main Street Fort Scott Kansas 66701  
(620) 223-1111 (800) 295-3113 Fax (620) 223-1139 www.winventwindows.com



1 HEAD - 1" BLIND  
6F8

SILL - 1" BLIND 2  
6F8

