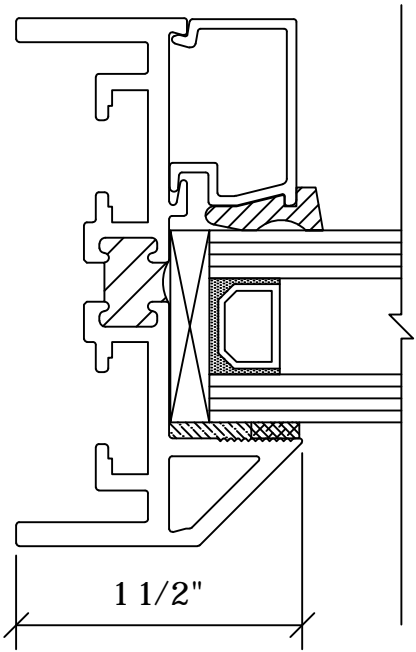
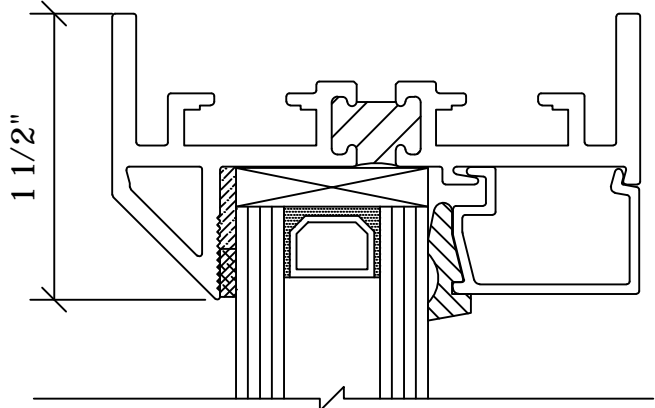


Win-Vent Architectural Windows 2401 S. Main Street Fort Scott Kansas 66701  
(620) 223-1111 (800) 295-3113 Fax (620) 223-1139 www.winventwindows.com



**7** FIXED JAMB  
**5C4** FIXED/PROJECT OUT



**9** HEAD  
**5C4** FIXED/PROJECT OUT

VENT JAMB  
FIXED/PROJECT OUT **8**  
**5C4**

