

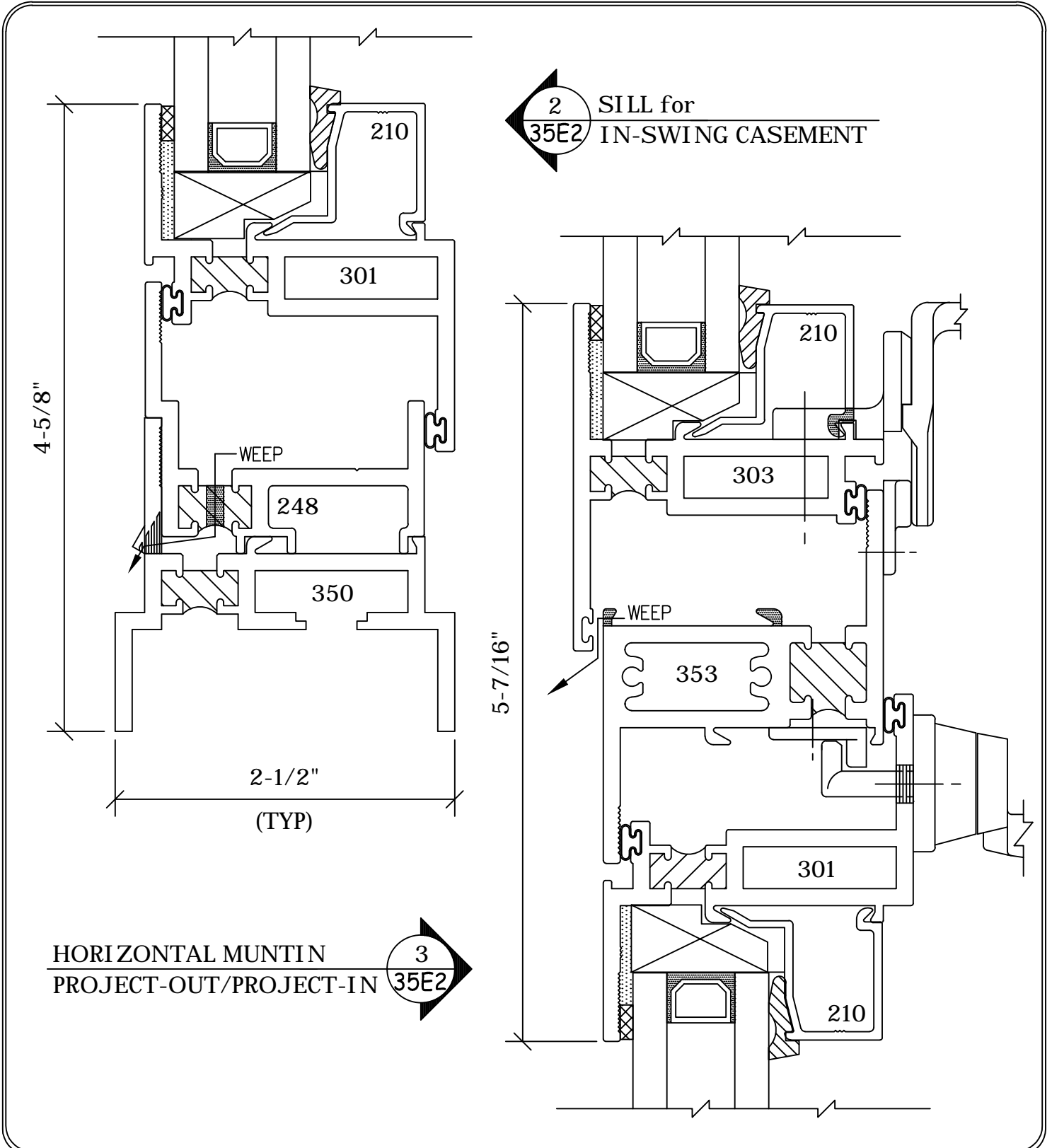
Series 350
Sections



Miscellaneous
Details

Page No.
35E2

Win-Vent Architectural Windows 2401 S. Main Street Fort Scott Kansas 66701
(620) 223-1111 (800) 295-3113 Fax (620) 223-1139 www.winventwindows.com



2 SILL for
35E2 IN-SWING CASEMENT

4-5/8"

2-1/2"
(TYP)

5-7/16"

HORIZONTAL MUNTIN
PROJECT-OUT/PROJECT-IN 3
35E2